

# PANEL-MOUNT PTC FAN HEATER

CS 130 | 1,200 W



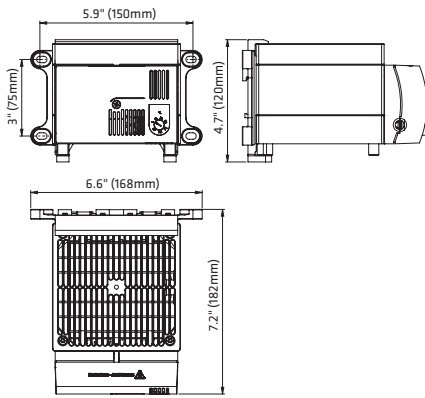
- > Compact design
- > Built-in overheat protection
- > Double insulated plastic housing
- > Panel or DIN rail mounting
- > Integrated adjustable thermostat (optional)

The compact CS 130 high performance fan heater prevents formation of condensation and provides an evenly distributed interior air temperature in enclosures. This fan heater is available with an optional integrated thermostat for temperature control. The CS 130 was designed as a stationary unit for panel or DIN rail mounting. For foot mounting on the bottom of an enclosure, the CS 030 fan heater is recommended.

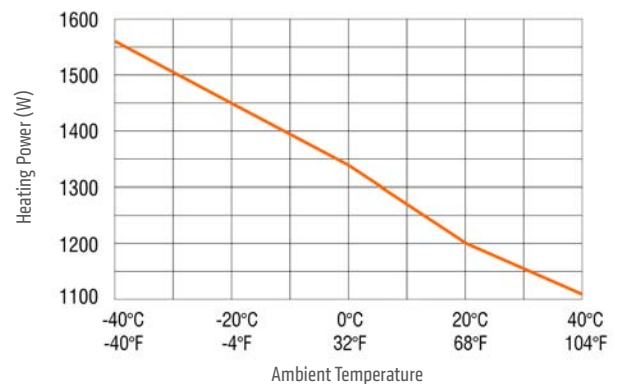
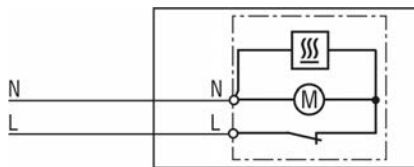


## TECHNICAL DATA

|                                    |  |
|------------------------------------|--|
| Heating element                    | PTC resistor, temperature limiting   |
| Overheat protection                | built-in temperature limiter   |
| Axial fan, ball bearing            | service life 50,000 h at 77 °F (25 °C)   |
| Air flow, free blowing             | 94 cfm (160 m <sup>3</sup> /h)   |
| Connection                         | 2-pole terminal AWG 16 max. (1.5 mm <sup>2</sup> ) with strain relief, clamping torque 0.8 Nm max. |
| Housing                            | plastic, UL 94V-0, black   |
| Mounting                           | clip for 35 mm DIN rail, EN 60715 or M6 screws (not included)                                      |
| Mounting position                  | vertical airflow (air outlet up)   |
| Dimensions                         | 4.7 x 6.6 x 7.2" (120 x 168 x 182 mm)  |
| Weight                             | approx. 2.6 lbs. (1.2 kg)  |
| Operating / Storage temperature    | -49 to +158 °F (-45 to +70 °C)   |
| Operating / Storage humidity       | max. 90 % RH (non-condensing)  |
| Protection class / Protection type | II (double insulated) / IP20   |



Wiring diagram



| Part No.   | Operating voltage  | Heating capacity <sup>1</sup> | Max. current (inrush) | Recommended pre-fuse T (time-delay) | Setting range <sup>2</sup>    | Approvals                                |
|------------|--------------------|-------------------------------|-----------------------|-------------------------------------|-------------------------------|--|
| 13060.9-00 | AC 120 V, 50/60 Hz | 1,200 W                       | 16.0 A                | 16.0 A                              | 32 to 140 °F                  | UL File No. E150057 <sup>3</sup> - EAC   |
| 13060.9-01 | AC 120 V, 50/60 Hz | 1,200 W                       | 16.0 A                | 16.0 A                              | none (no integrated controls) | UL File No. E150057 <sup>3</sup> - EAC   |
| 13060.0-00 | AC 230 V, 50/60 Hz | 1,200 W                       | 13.0 A                | 10.0 A                              | 0 to 60 °C                    | UL File No. E150057 <sup>3</sup> VDE EAC |
| 13060.0-01 | AC 230 V, 50/60 Hz | 1,200 W                       | 13.0 A                | 10.0 A                              | none (no integrated controls) | UL File No. E150057 <sup>3</sup> VDE EAC |

<sup>1</sup> at 68 °F (20 °C) ambient temperature; <sup>2</sup> switching difference 12.6 °F ± 7 °F tolerance (7 K ± 4 K); <sup>3</sup> according to UL 508A, NITW File on request